

Specification

Nominal size

1"

Tank connection

Flanged: 4 x 18mm holes on a 89mm PCD

Outlet/Process connection

Flanged: 4 x 18mm holes on a 89mm PCD

Options

Fire safe specification or lethal service specification - refer to Design Conditions: NOTE

Left or right hand operation

Materials

Contact parts: 316 stainless steel

Main seal: TFM PTFE

Design Conditions

Weight:	4.77 Kg
Design Pressure (MAWP):	16 Bar
Test Pressure:	24 Bar
Design Temperature Min:	-40°C
Design Temperature Max:	205°C

NOTE: The fire safe specification ball valve is not compatible with lethal service conditions. The lethal service specification ball valve is compatible with fire safe and lethal service conditions

Design Codes

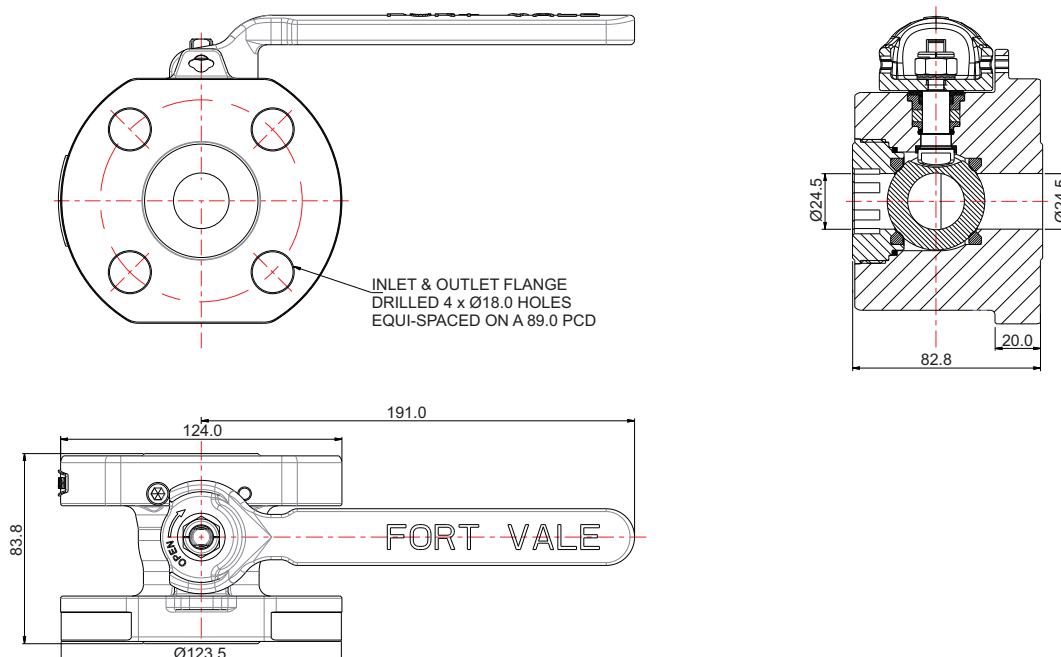
BS EN14432, EN12516-2, EN10497

API 607

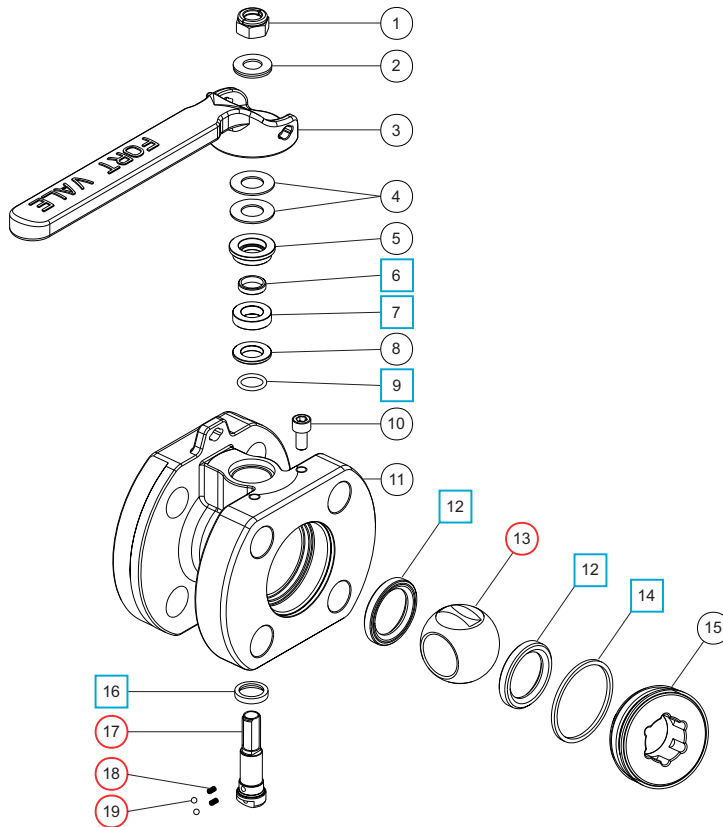
Range

Description	Part No.
1" fire safe valve, left hand	310/5000FSL
1" fire safe valve, right hand	310/5000FSR
1" fire safe/lethal service valve, left hand	310/5000LSL
1" fire safe/lethal service valve, right hand	310/5000LSR

Section View



Parts Drawing



Parts List

Item	Description	Part No.
1	M10 locking nut *Note	5112-008-XX
2	M10 locking washer (pair)	5113-191
3	Handle *Note	310/0125XX
4	12mm Belleville washer (2)	5113-045
5	Stuffing gland	310/3458
6	Bearing bush	310/3443 □ ○
7	Gland seal	310/0133 □ ○
8	Stuffing gland	310/0130
9	Perfluoroelastomer O ring	5005-212PER □ ○
10	M6 cap screw	5111-034
11	1" ball valve body *Note	310/5010XX
12	TFM PTFE ball seat (2)	310/0102FS □ ○
13	Ball *Note	370/1002XX ○
14	Body seal	310/0106GR □ ○
15	Seal retainer	310/0176/2
16	Bottom bearing	310/0104FS □ ○
17	Spindle	310/0120FS ○
18	Plunger spring (2)	370-3469 ○
19	3mm ball (2)	10154SS ○

Seal Kit - All parts marked □ in the Parts List

Description	Part No.
For fire safe & lethal service valves	310/50LSK

Repair Kit - All parts marked ○ in the Parts List

Description	Part No.
For fire safe valves only	310/50FRK
For lethal service valves only	310/50LRK

NOTE: The valve specification changes the part number